



HIGH COLOR QUALITY, ENCLOSED FIXTURE COMPATIBLE LED LAMP FOR USE IN A60 COMPATIBLE FIXTURES AND OTHER INDOOR AND OUTDOOR APPLICATIONS

OUTPUT RANGE 600 LUMENS

BEAM ANGLE OMNIDIRECTIONAL

COLOR METRICS  
CCT: 2700K  
Color Rendering  
CIE Metrics: CRI 80, R9 90

APPLICATION Incandescent replacement for indoor and outdoor applications

**SLEEP FRIENDLY LIGHT THAT LOOKS AS GOOD AS IT FEELS**

We designed Soraa ZEROBLUE lamps with our unique Soraa ZEROBLUE technology, which means your body recognizes the time for sleep as nature intended. Evenings are more restful, your body relaxes, and sleep comes more easily.

**SORAA ZEROBLUE™**

Soraa ZEROBLUE\* lamps create light environments that support health and well-being, with the first and only blue-free LED white spectrum. With ZEROBLUE technology, your body gets the biological benefits of blue-free light in the evening, as nature intended. Nights are more restful, your body relaxes, and sleep comes more easily.

\* This light source produces greater than 2mW of ultraviolet light per 1000 lumens of total light and is intended only for circadian lighting applications, where the UV light is required to replace the blue light that suppresses melatonin production. Use of this light source will lead to increased energy cost compared to an equivalent more energy efficient product.

**THERMALLY COMPATIBLE**

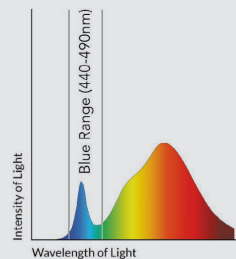
Suitable for use in fully enclosed fixtures. SORAA products are designed to safely turn down in high temperature environments to protect the LED and components when maximum heatsink temperature limits are reached. Delivered light output may vary based on specific fixture enclosure and installation conditions.

**ELECTRICALLY COMPATIBLE**

Works with trailing edge and phase cut dimmers. A list of compatible dimmers and transformers can be found at [www.soraa.com/resources/compatibility](http://www.soraa.com/resources/compatibility)

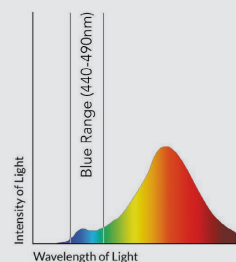


**STANDARD LED | Large Blue Peak**



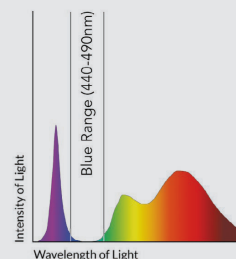
Faded Colors and Whites

**SLEEP LED | Reduced Blue, Unnatural Yellow**



Unnatural Yellow Tint

**SORAA ZEROBLUE | Soft White Light With No Blue**



Beautiful Colors and Whites

## LIFETIME AND WARRANTY

Rated lifetime to L70: 25,000 hours  
 Warranty: 3 years or 25,000 hours, whichever comes first  
 Detailed warranty information available at:  
[www.soraa.com/resources/legal](http://www.soraa.com/resources/legal)

## LOCATION RATING

Suitable for damp locations.  
 Not rated for use in wet locations, should not be exposed to liquid water (including condensation).

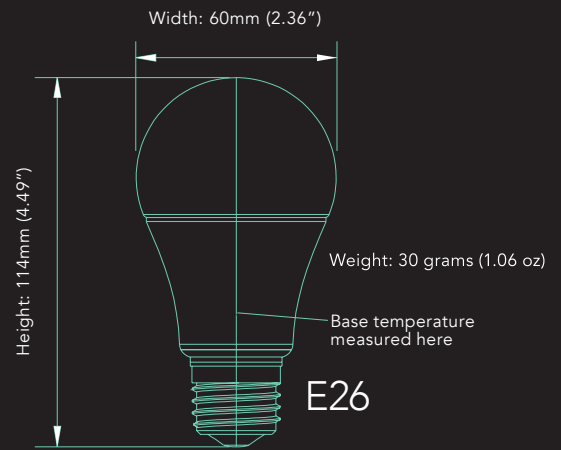
## OPERATING TEMPERATURE

Minimum: -40° C (ambient)  
 Typical: 105° C - 110° C (lamp base)  
 Maximum: 115° C (lamp base)

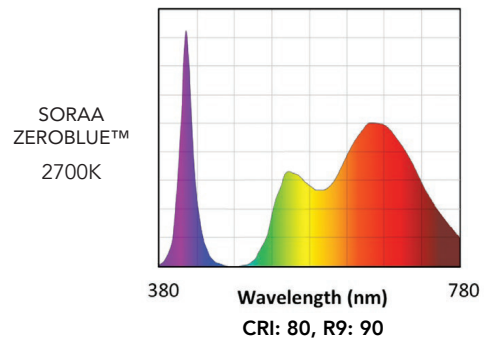
## ELECTRICAL SPECIFICATIONS

Wattage: 11W  
 Voltage: 230V +/- 12V  
 Frequency: 50/60 Hz  
 Power Factor: 0.95  
 Dimmability: <20%  
 Flicker Index: <0.08  
 Percent Flicker: <30%

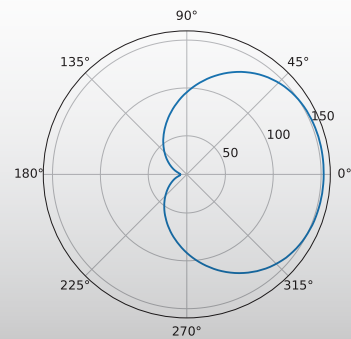
## CERTIFICATIONS



## SPECTRAL POWER DISTRIBUTION



## POLAR DIAGRAM



ZEROBLUE Model Number	Product Code	CCT (K)	Total Flux (Lm)	Beam Angle	Halogen Equiv (W)**	Efficacy (Lm/W)	CRI/R9	White Point (McA)
SA60E27-11-OMNI-Z27-01-S3	13939	2700	600	OMNI	47	54	80/90	3

\*Specifications are at stable warm operating conditions (25°C ambient) \*\*According to Commission Regulation (EU) 2019/2015  
 CCT = Correlated Color Temperature CRI = Color Rendering Index (Ra-8) White Point = White Point Accuracy in McA step  
 Other SORAA ZEROBLUE lamp form factors can be found at <https://www.soraa.com/products/lamps>

SORAA EUROPEAN OFFICE  
 Customer Service: +44 (0)1753 628 499  
 Technical Support: +44 (0)1753 628 498  
[techsupport-soraa@ecosenselighting.com](mailto:techsupport-soraa@ecosenselighting.com)  
[www.soraa.com](http://www.soraa.com)

SORAA is a registered trademark of SORAA. Information and specification subject to change. 20230111