



SORAA BRILLIANT HL™

The Soraa Brilliant HL single-source COB lamp combines Soraa's world-class optics design and driver technology with a photoptically efficacious LED

SORAA POINT SOURCE OPTICS™

With a point source and sophisticated folded optics, Soraa creates very controlled beam angles from 10 to 36 degrees, in form factors as challenging as the compact MR16 resulting in smooth uniform beams and crisp shadows

ENERGY EFFICIENCY AND LONG LIFE

85% more energy efficient than standard halogen lamps
 Typical payback of one year or less
 Rated lifetime to L70: 35,000hrs
 Warranty: 3yrs or 25,000hrs whichever comes first
 Warranty information: soraa.com/resources/legal

ACCESSORIES

Narrow spot compatible with the Soraa SNAP System™

GENERAL SPECIFICATIONS

Form Factor

Width: 50.1mm (1.97")
 Height: 45.5mm (1.79")
 Weight: 47g

Operating Temperature

Minimum: -40°C (ambient)
 Typical: 85°C - 95°C (base)
 Maximum: 100°C (base)

Output Range

575 - 630 lumen

Beam Angle Range

10°, 25°, 36°

Color Metrics

CCT: 2700K, 3000K
 Color Rendering
 CIE Metrics: CRI 90, R9 50

Application

This lamp is suitable for use in fully enclosed fixtures, subject to the maximum heatsink temperature limits stated in this data sheet.
 Halogen replacement for indoor applications.



HIGHLY COMPATIBLE

Geometrically compatible with standard fixtures and suitable for damp locations

This lamp is suitable for use in fully enclosed fixtures, subject to the maximum heatsink temperature limits stated in this data sheet. A list of qualified enclosed fixtures can be found at www.soraa.com/resources

Works with trailing edge and leading edge phase cut dimmers (see www.soraa.com/resources)

INTENDED USE AND APPLICATIONS

Intended for use in MR16 compatible recessed downlights, track lighting and other indoor and outdoor applications
 Soraa lamps are designed to safely turn down in any thermal environment not conducive to minimum airflow or proper ventilation

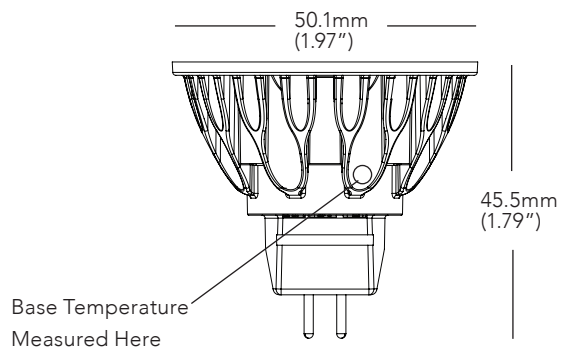
CERTIFICATIONS

Title 20 compliant, UL/CUL Class 2 and non-Class ;
 FCC Title 47 Part 15B, RoHS, CE



All 25D and 36D lamps are class F;
 All 10D lamps are class G.

DIMENSIONS

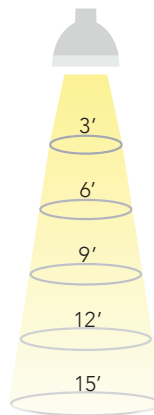


10 DEGREE BEAM

Beam Dia at 50% CBCP (ft)	Field Dia at 10% CBCP (ft)	Foot-candles (% of CBCP)
0.5	1.1	11.1%
1.0	2.1	2.8%
1.6	3.2	1.2%
2.1	4.2	0.7%
2.6	5.3	0.4%

25 DEGREE BEAM

Beam Dia at 50% CBCP (ft)	Field Dia at 10% CBCP (ft)	Foot-candles (% of CBCP)
1.3	2.2	11.1%
2.7	4.4	2.8%
4.0	6.6	1.2%
5.3	8.7	0.7%
6.7	10.9	0.4%



36 DEGREE BEAM

Beam Dia at 50% CBCP (ft)	Field Dia at 10% CBCP (ft)	Foot-candles (% of CBCP)
1.9	3.3	11.1%
3.9	6.5	2.8%
5.8	9.8	1.2%
7.8	13.0	0.7%
9.7	16.3	0.4%

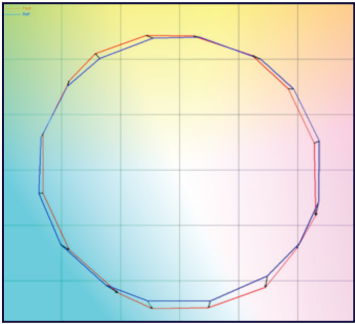
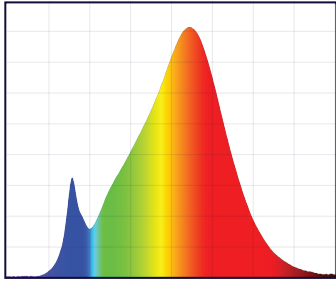
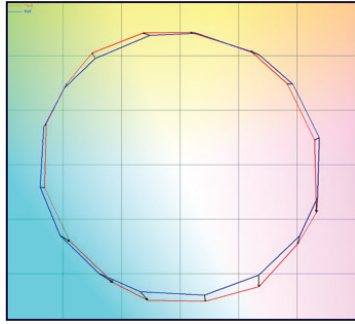
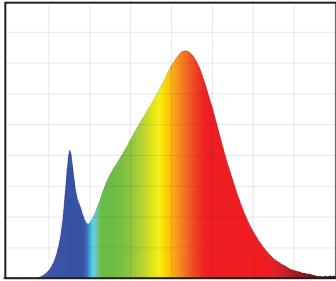
Note: Footcandles may be calculated by multiplying the CBCP of the desired model number by the percentage in the tables above

SPECIFICATIONS BY MODEL NUMBER* SORAA LED MR16 7.5W 12V

Model #	Product Code	CCT (K)	Beam Angle	Field Angle	CBCP (Cd)	Energy Star Halogen Equiv.	Total Flux (Lm)	90° Lumens	Efficacy (Lm/W)	CRI	McA	SNAP	Title 20
BRILLIANT HL SERIES													
SM16-07-10D-827-H1	08722	2700	10	20	8000	75	620	540	77	90	3	Yes	Compliant
SM16-07-25D-827-H1	08724	2700	25	40	3170	75	650	600	80	90	3	-	Compliant
SM16-07-36D-827-H1	08726	2700	36	57	1550	75	650	600	80	90	3	-	Compliant
SM16-07-10D-830-H1	08728	3000	10	20	8400	75	640	560	80	90	3	Yes	Compliant
SM16-07-25D-830-H1	08730	3000	25	40	3300	75	660	620	84	90	3	-	Compliant
SM16-07-36D-830-H1	08732	3000	36	57	1650	75	660	610	84	90	3	-	Compliant

CCT: Correlated Color Temperature **McA**: White Point Accuracy in McA step

*Specifications are at stable warm operating conditions (25°C ambient)

SERIES/CCT	COLOR ACCURACY	SPECTRAL POWER DISTRIBUTION
BRILLIANT HL 2700K	 <p data-bbox="370 506 630 533">Rf: 90, Rg: 98, Rfh1: 85</p>	 <p data-bbox="737 449 1094 480">380 Wavelength (nm) 780</p> <p data-bbox="834 506 997 533">CRI: 90, R9: 50</p>
BRILLIANT HL 3000K	 <p data-bbox="370 936 630 963">Rf: 90, Rg: 98, Rfh1: 85</p>	 <p data-bbox="737 879 1094 911">380 Wavelength (nm) 780</p> <p data-bbox="834 936 997 963">CRI: 90, R9: 50</p>

Rf: TM-30 metric measuring color fidelity (whether colors are similar to those under natural light). Rf is a more accurate version of the CRI Ra. Rf is 100 for natural light.
Rg: TM-30 metric measuring color gamut (whether colors are more saturated than under natural light). Rg is 100 for natural light.
Rfh1: TM-30 metric measuring color fidelity for red tones. Rfh1 is a more accurate version of the CRI R9. Rfh1 is 100 for natural light.